

# **IDEC 1456 VFD DECANTER CENTRIFUGE**



## **GENERAL OVERVIEW**

The 1456 decanter centrifuge is manufactured utilizing the highest quality materials and state of the art manufacturing techniques.

The 14"x 56" rotating assembly is constructed entirely of 316 stainless steel and is dynamically balanced to the applicable ISO standards to insure reliable operation in demanding high speed applications.

## **FEATURES**

- Dynamically Balanced 316 Stainless Steel Rotating Assembly
- VFD/ HMI Control Panel
- No A/C or Purged Air Required
- PLC Real Time Controller
- C1/ Zone 1-15" Color Touch Screen
- Tungsten Carbide Replaceable Wear Components
- Spring Assist Cover



IDEC 1456 centrifuge comes standard with tungsten carbide tile throughout the length of the feed zone and with the balance of the conveyor flight protected with tungsten hardface.

The solids discharge area features field replaceable tungsten carbide protection with integral tungsten carbide solids wiper plow. The base is fabricated steel and the case and cover are 316 stainless steel.

High vibration, over torque and cover open safeties are standard features.

**Additional safety features built into the VFD Control System:**

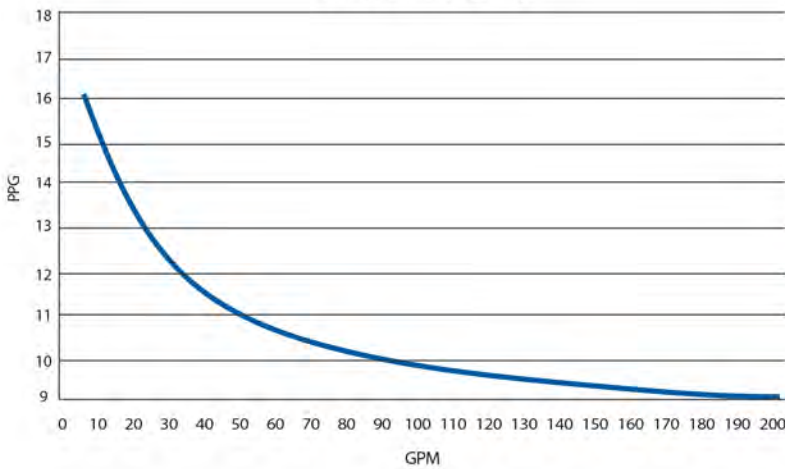
- Over/Under Voltage
- Over Amperage
- Motor PTC Motoring
- Temperature Controls
- E-Stop Monitoring
- Multiple Drive/VFD Failure monitoring

**PERFORMANCE SPECIFICATIONS**

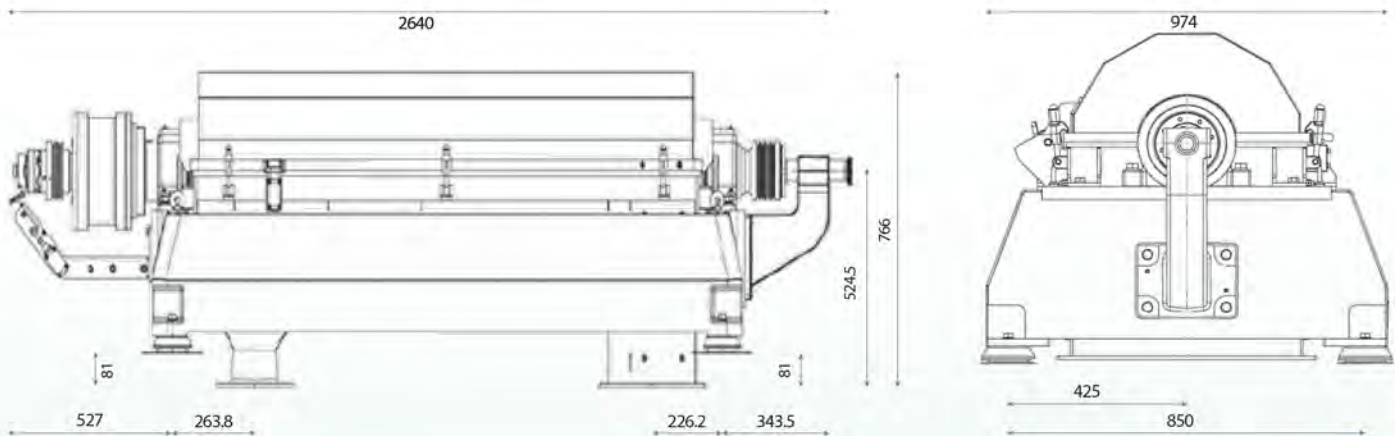
Max. Bowl Operating Speed	4,000 rpm (3180 G)
Normal Bowl Operating Speed	3,250 rpm (2100 G)
Max Differential	80 rpm
Hydraulic Capacity	200 gpm
Max Output Torque	3.5 kNm (2581 lbf.ft)
Max Input Torque (trip out torque)	61.4Nm (543 lbf.in)
Gearbox Ratio	57:1 (3.5kNm)



1456 Process Capacity



Master Skid & Control Panel			
Length	Width	Height	Weight
3277 (129")	2134 (84")	1727 (68")	3545 kg (7800 lbs)



New Cairo, Egypt  
5th Settlement,  
North 90th Street  
Villa 238  
T: +20225381693  
F: +20225381693  
info@idecint.com

Dubai, UAE  
JLT, Cluster W, Liwa Heights  
Office 2301  
P.O. Box 31956, Dubai  
T: +971 4 4518052  
F: +971 4 4518032  
info@idecint.com

