

IDEC 1656 VFD DECANTER CENTRIFUGE



The 1656 decanter centrifuge is manufactured utilizing the highest quality materials and state of the art manufacturing techniques.

The 16" x 56" rotating assembly is constructed entirely of 2205 Duplex stainless steel and is dynamically balanced to the applicable ISO standards to insure reliable operation in demanding high speed applications.

IDEC centrifuges comes standard with tungsten carbide tile throughout the length of the feed zone and with the balance of the conveyor flight protected with tungsten hard face.

The solids discharge area features field replaceable tungsten carbide protection with integral tungsten carbide solids wiper plow. The feed chamber is equipped with a replaceable tungsten hard-faced accelerator chamber and tungsten carbide feed nozzles.

The unit is designed with safety devices for vibration, over torque, cover open for shutdown safety compliance.

PERFORMANCE SPECIFICATIONS

- Dynamically Balanced 2205 Duplex Stainless Steel Rotating Assembly
- Max Bowl Speed of 3700rpm.
- 7.1Knm Gearbox
- 75hp Main Drive Motor
- 25hp Back Drive Motor
- Tungsten Carbide Replaceable Wear Components
- Spring Assist Cover

FEATURES

- VFD/ HMI Control Panel
- No A/C or Purged Air Required
- PLC Real Time Controller
- C1/ Zone 1-15" Color Touch Screen
- Optional Communication Package with Remote Accessibility Through Secured VPN

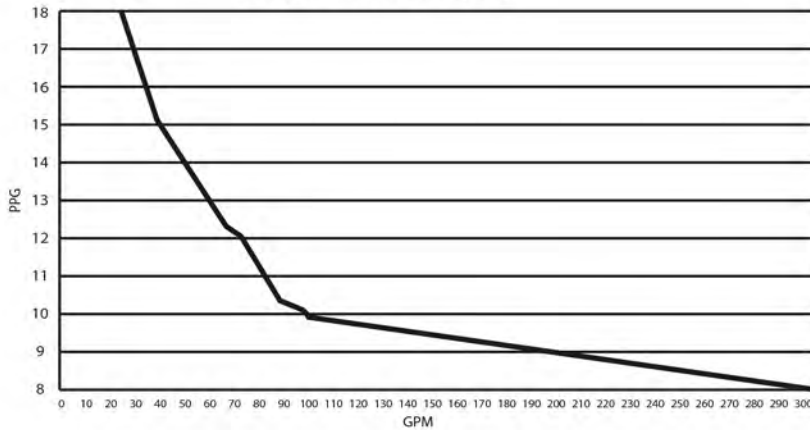
Gearbox	4,1kNm	7.1kNm
Max Output Torque	4,1kNm (3025 lbf.ft)	7.1kNm (5240 lbf.ft)
Max Input Torque (trip out torque)	77Nm (673 lbf.in)	130Nm (1150lbf.in)
Gerbox Ratio	53:1	55:1



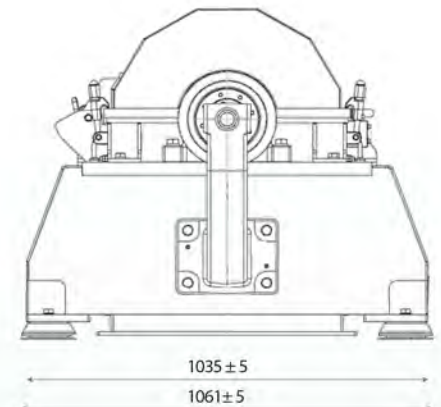
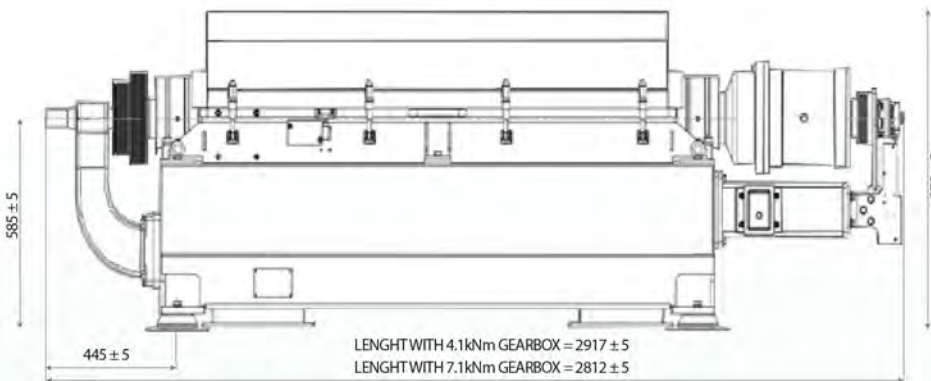
Additional safety features built into the VFD Control System:

- Over/Under Voltage
- Over Amperage
- Motor PTC Motoring
- Temperature Controls
- E-Stop Monitoring
- Multiple Drive/VFD Failure monitoring

1656 VFD/ HMI Process Capacity



Master Skid & Control Panel	
Length	3277 (129")
Width	2134 (84")
Height	1727 (68")
Weight	3856 kg (8500 lbs)



New Cairo, Egypt
5th Settlement,
North 90th Street
Villa 238
T: +20225381693
F: +20225381693
info@idecint.com

Dubai, UAE
JLT, Cluster W, Liwa Heights
Office 2301
P.O. Box 31956, Dubai
T: +971 4 4518052
F: +971 4 4518032
info@idecint.com

