

WASTE WATER TREATMENT PLANT



IDEC WTP - is designed for a wide range of waste water flow rates with different sedimentation capacities. The possibility to choose the size of the screen perforation/slots, as well as cross section and length of the tank, is the assurance for the customer that they will obtain the right solution to their problem.

The machine comes in high-quality, industrially manufactured, standard modules, ready for comfortable on-site assembly if requested.

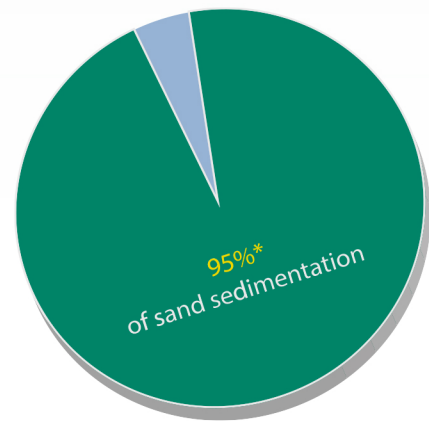
The screen section of the plant is equipped with a compacting device in the upper part for a volume reduction of the screenings of up to 35%. A washing system for the reduction of organic matter in the screenings is available on request.

The shaftless screen screw, which is manufactured in an innovative, patented process, ensures smooth operation without clogging even in presence of fibres.

The table below shows an example of how to choose the correct machine according to the requested sedimentation output rate.

Size	TSF 2/3		FLOW RATE *	
	Module	Tank Length (m)	Min (l/s)	Max (l/s)
S 10	1	2	5	13
S 20	2	4	12	30
M 10	2	4	25	39
M 20	3	6	35	60
M 30	4	8	60	85
L 10	4	8	80	115
L 20	5	10	110	145
L 30	6	12	140	175
L 40	7	14	170	205

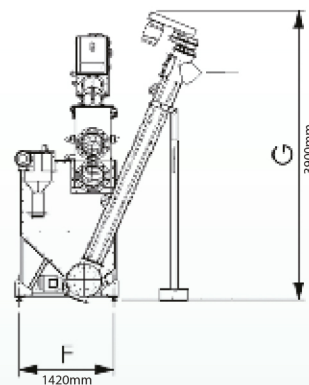
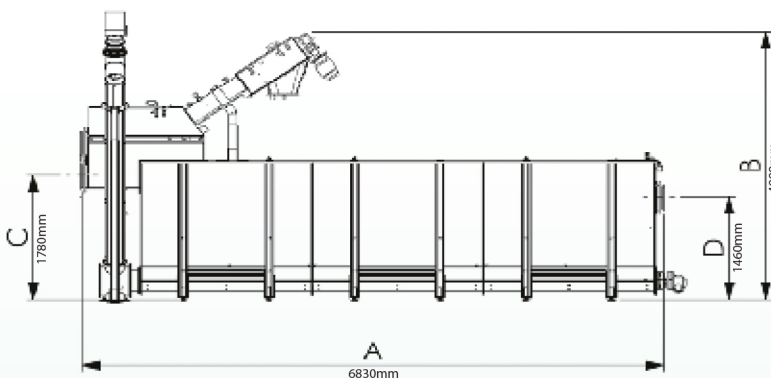
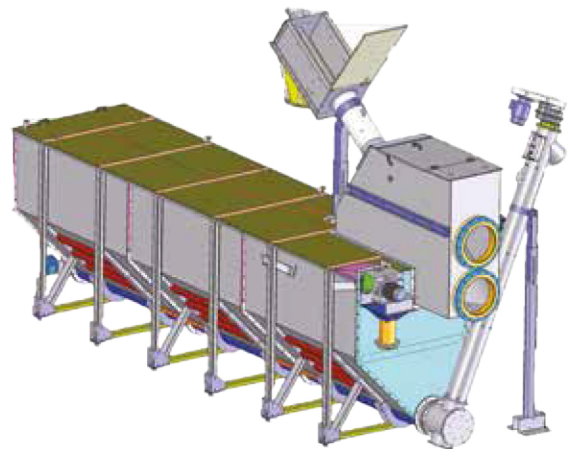
* with a grain size of 2.0 mm and a Specific Gravity of 2.60-2.65 w/v



IDEC(WTP) - M20 SERIES 26 m³/hr – 216 m³/hr

BENEFITS

- Decreased infrastructure costs;
- Easy on-site machine assembly using standard tools
Reduction of intermediate storage costs;
- Best footprint-net volume ratio for this type of machine;
- Durable heavy-duty shaftless screws manufactured in patented process;
- Self-adjusting scraper device (patent pending)
- Limited water removal in any flow condition.



New Cairo, Egypt
5th Settlement,
North 90th Street
Villa 238
T: +20225381693
F: +20225381693
info@idecint.com

Dubai, UAE
JLT, Cluster W, Liwa Heights
Office 2301
P.O. Box 31956, Dubai
T: +971 4 4518052
F: +971 4 4518032
info@idecint.com

